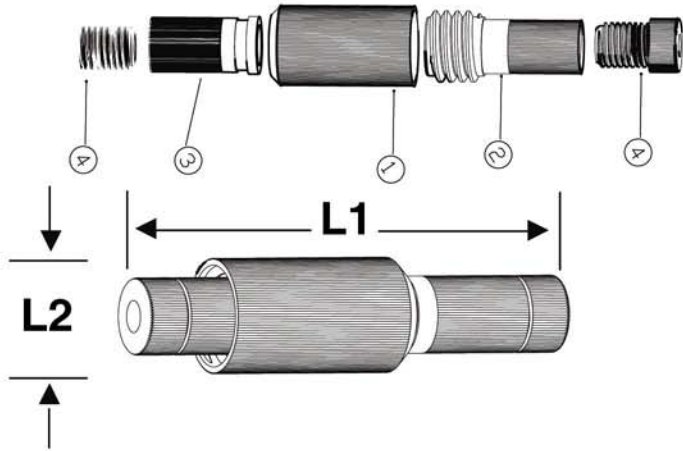
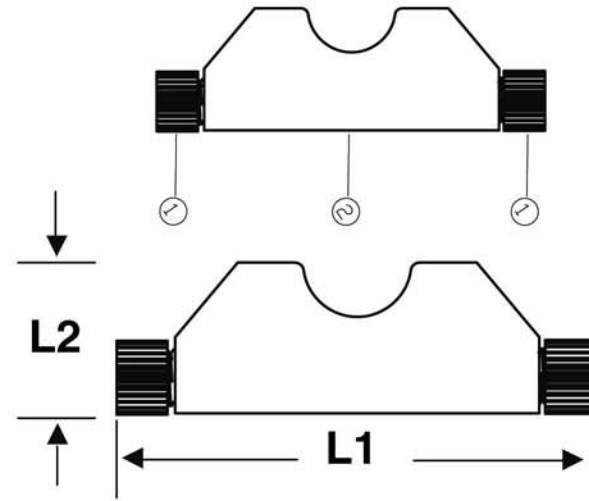




POSI-LOCK® FUSEHOLDER SPECIFICATIONS



Product Name: Posi-Lock Fuseholder
 Part Number: EX-390A & M (FR1218)
 Color: White
 Type: No Crimp In Line
 Component #1: Body, Female
 Component #2: Fuse Contact, Male End
 Component #3: Fuse Contact, Rotating
 Component #4: Male End
 Body Material: Nylon 66
 Conductor: Brass, Tin Plated
 L1 Dimension: 2.890"
 L2 Dimension: .565"
 Wire Size: 18, 16, 14, 12 awg
 Fuse Type: Round, Glass 3/4" to 1-1/4"
 Temperature Range: -55C to 120C
 Amps - Max: 30 A 600 VAC
 RoHS Status: RoHS Compliant
 UL 486C Recognized Component



Product Name: Posi-Lock Fuseholder
 Part Number: FF1218
 Color: Black
 Type: No Crimp In Line
 Component #1: Male End
 Component #2: Body, Fuse Contact
 Body Material: Nylon 66
 Conductor: Brass, Tin Plated
 L1 Dimension: 2.230"
 L2 Dimension: .730"
 Wire Size: 18, 16, 14, 12 awg
 Fuse Type: Blade, ATO & ATC
 Temperature Range: -55C to 120C
 Amps - Max: 30 A 600 VAC
 RoHS Status: RoHS Compliant

5,228,875 5,695,369 5,868,589 2,708,1556,568,952 2,624,792 2,654,610 6,488,548816,494,753B1
 2,130,398 2,361,052 2,382,7322,481,667 6,358,103B1 2,275,493 2,570,4932,607,462 D478,555S,
 6,692,313 6,695,6532,840,505 6,796,863B1 6,814,630B1, 6,830,491Jap 2881414 Aus 708700 729
 018 761530Tia 103534 121365 152770 Can 2.204.826 Mex 200626 China ZL97105562.9 ZL988053
 91.8 and others pending

SAE J1211 Section 3.2.3 Salt Spray Test
 SAE J1211 Section 3.2.4 Immersion & Spalsh Test
 SAE J1211 Section 3.2.5 Dust, Sand & Gravel Bombardment
 SAE J1211 Section 3.2.7 Mechanical Vibration Test
 SAE J1211 Section 3.2.8 Mechanical Shock Test
 SAE J1211 Section 3.2.1 Temperature Test

800-785-2330
www.posi-products.com